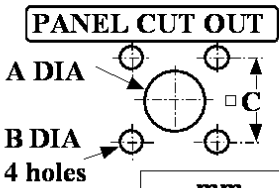
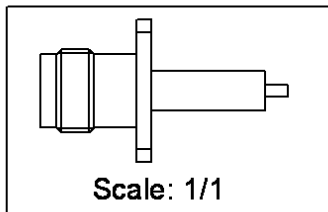
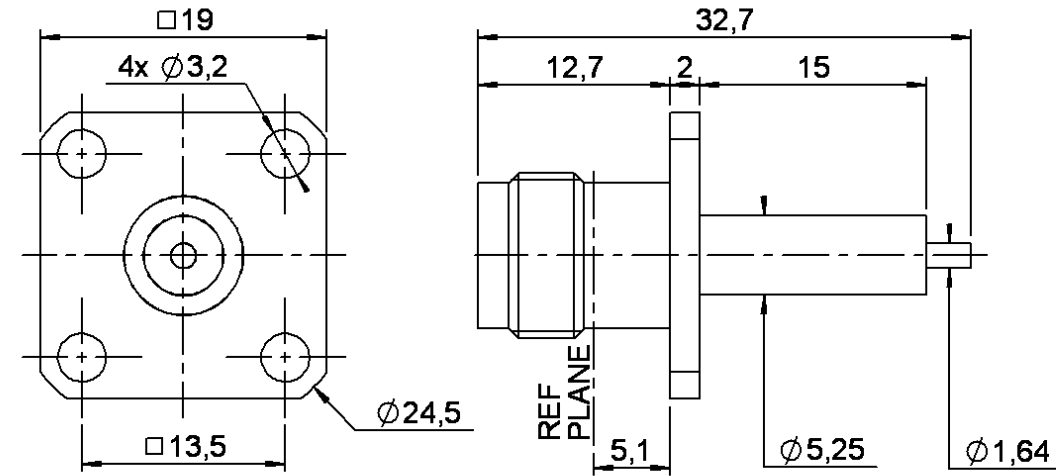


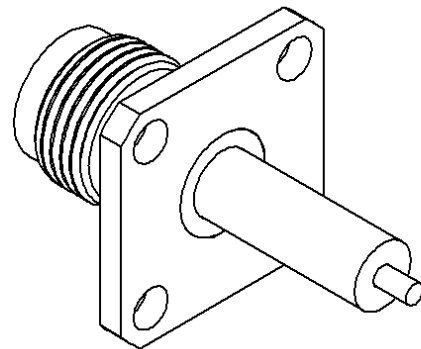
**SQUARE FLANGE JACK RECEPTACLE
WITH CYLINDRICAL CONTACT**

R143.413.700

Series : TNC-18



	mm	
	Maxi	mini
A (F. Mount)	5.5	5.4
A (R. Mount)	11.3	11.2
B	3.3	3.2
C	13.55	13.45



All dimensions are in mm.

COMPONENTS	MATERIALS	PLATINGS (µm)
BODY	STAINLESS STEEL	PASSIVATED .
CENTER CONTACT	BERYLLIUM COPPER	GOLD 2.5 OVER NICKEL 2
OUTER CONTACT	-	-
INSULATOR	PTFE	-
GASKET	-	-
OTHERS PARTS	STAINLESS STEEL	PASSIVATED .
-	-	-
-	-	-

Issue : 0315 B

In the effort to improve our products, we reserve the right to make changes judged to be necessary.



**SQUARE FLANGE JACK RECEPTACLE
WITH CYLINDRICAL CONTACT**

R143.413.700

Series : TNC-18

PACKAGING

SPECIFICATION

Standard	Unit	Other
1	-	Contact us

ELECTRICAL CHARACTERISTICS

ENVIRONMENTAL

Impedance		50 Ω
Frequency		0-18 GHz
VSWR	1.1 +	0.010 x F(GHz) Maxi
Insertion loss		0.06 √F(GHz) dB Maxi
RF leakage	- (80+20 - F(GHz)) dB Maxi
Voltage rating		500 Veff Maxi
Dielectric withstanding voltage		1500 Veff mini
Insulation resistance		5000 MΩ mini

Operating temperature	-65/+105 ° C
Hermetic seal	NA Atm.cm3/s
Panel leakage	NA

OTHERS CHARACTERISTICS

Assembly instruction

Others :
Interface only

MECHANICAL CHARACTERISTICS

Center contact retention		
Axial force – Mating end	27.2	N mini
Axial force – Opposite end	27.2	N mini
Torque	2.8	N.cm mini
Recommended torque		
Mating	NA	N.cm
Panel nut	NA	N.cm
Mating life	500	Cycles mini
Weight	9.900	g

Issue : 0315 B

In the effort to improve our products, we reserve the right to make changes judged to be necessary.

